

**Urban Cruiser Enlightened TMM Bike**  
**Exploded Parts View**

IZ-UCE-L-BL  
IZ-UCE-M-BL  
IZ-UCE-WH-W

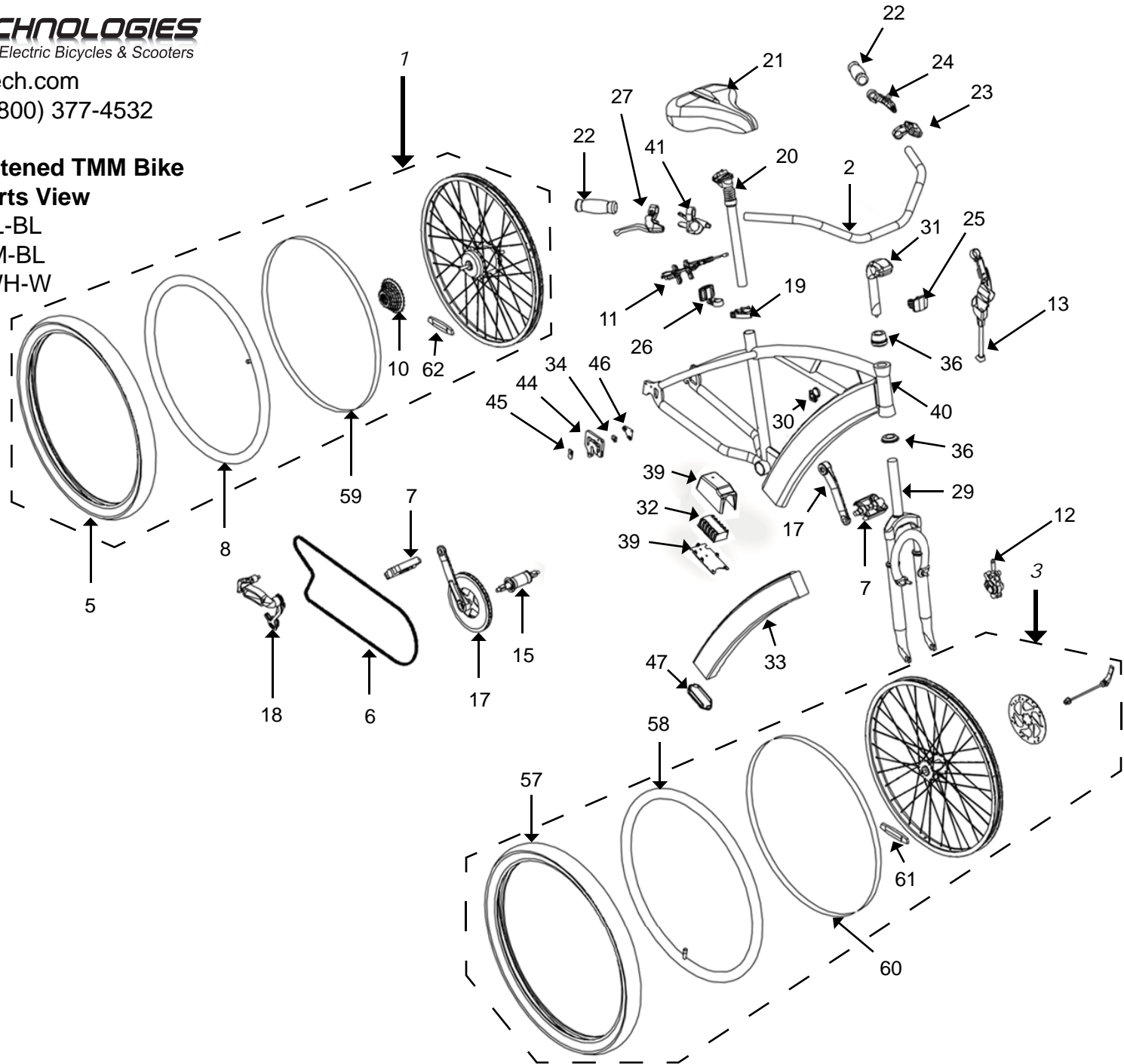


Diagram #	Description	Part #
1	Rear Wheel Assembly (26" w/ Hub Motor) (232mm & 236mm spokes)	WH-26R-006
2	Handlebar (25.4mm bar clamp diameter, 640mm wide x 175mm rise)	HB-BHAL31A-001
3	Front Wheel Assembly (26") (262mm and 260mm spokes)	WH-26F-006
4	n/a	n/a
5	Tire - 26" x 2.0"	TT-CB06-1
6	Chain (3/32" - 120 links)	CN-Z82-120L
7	Pedals (9/16")	PD-VP-611
8	Tube - 26" x 1.75-2.125" w/ Schrader Valve	TT-CB06-2
9	n/a	n/a
10	Freewheel (Pedal) (8 speed, 13-32T)	FW-1332T-001
11	Brake - linear pull	BR-TX218-001
12	Brake - disc brake caliper	BP-2407-1
13	Kickstand	AB-UC06-1
14	n/a	n/a
15	Bottom Bracket (68mm x 126mm, English thread)	BB-VPBC73-002
16	n/a	n/a
17	Crankset (170mm, 44T, square taper)	BP-UC06-1
18	Derailleur - Rear (8 speed)	BP-517-3
19	Seat Post QR	QR-327Q-001
20	Seat Post (27.2mm x 350mm)	SP-SP886-002
21	Seat - Mens	SE-VL7663-001
	Seat - Womens	SE-VL7663-002
22	Grips - Mens	GR-VLG617A-001
	Grips - Womens	GR-VLG617A-002
23	Meter Box	WR-BG-320
24	Brake Lever - Left w/ Inhibitor - (1400mm wire)	BL-EL340-L02
25	Reflector - Front	AS-460
26	Reflector - Rear	AS-960
27	Brake Lever - Right	BL-EL340-R01
28	n/a	n/a
29	Fork (1-1/8" Threaded)	FK-NEX4100-728
30	Charger Port	WR-DME240HLA
31	Stem (1-1/8" Quill)	HB-UC06-1
32	Controller	CT-2412-320
33	Battery Pack (Li-Ion 24V10A)	BA-PK24-320

Diagram #	Description	Part #
34	TMM Sensor	WR-TMM-322
35	Brake Cable & Housing - Front (not shown)	SP-910
36	Headset (1-1/8" Threaded)	n/a
37	Fuse 30a (shown on wiring diagram)	AU-065
38	Charger (Standard, 2amp) (not shown)	CH-2402-301A
39	Controller Box	HW-CTRLBX-002
40	Frame	n/a
41	Shifter - Rear	BP-517-4
42	n/a	n/a
43	Fuse 5a (shown on wiring diagram)	AU-066
44	Derailleur Hanger	HW-DHG-001
45	Sensor Cover Plate	WR-TMM-321
46	Sensor Dust Shield	WR-TMM-323
47	Downtube Battery Cap	HW-CTRLBX-003
48	n/a	n/a
49	n/a	n/a
50	n/a	n/a
51	Tool - 13-15mm wrench (not shown)	TL-101
52	Tool - 5mm-6mm hex wrench (not shown)	TL-100
53	n/a	n/a
54	Owner's Manual (not shown)	OM-IZIP-001
55	Brake Cable & Housing- Rear (not shown)	SP-910
56	n/a	n/a
57	Tire - 26" x 2.0"	TT-CB06-1
58	Tube - 26" x 1.75-2.125" w/ Schrader Valve	TT-CB06-2
59	Rim Strip - 26"	n/a
60	Rim Strip - 26"	n/a
61	Reflector - Wheel (not shown)	n/a
62	Reflector - Wheel (not shown)	n/a

